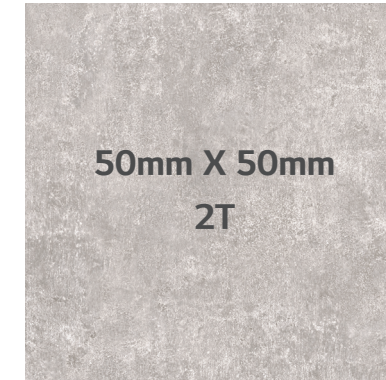


STYLE

Size : 2.0mm X 2,000mm X 20M/Roll

FOLIAGE CONCRETE



ST31604
SLATE GREY WE71831-01



ST31602
COAL GREY WEL1605-01



ST31606
EARTH TAN WELWR19-01



ST31603
SLATE GREY (F) WE71831-01



ST31601
COAL GREY (F) WEL1605-01



ST31605
EARTH TAN (F) WELWR19-01



ST31608
AZURE MIDNIGHT WELWR39-01



ST31607
AZURE MIDNIGHT (F) WELWR39-01



Reverse installation required

NATIVE GRAIN



ST31701
GOLDEN HARVEST WEL7481-03



ST31702
NATURAL WHEAT WE97777-01



ST31703
ORGANIC SPICE WEL8576-01



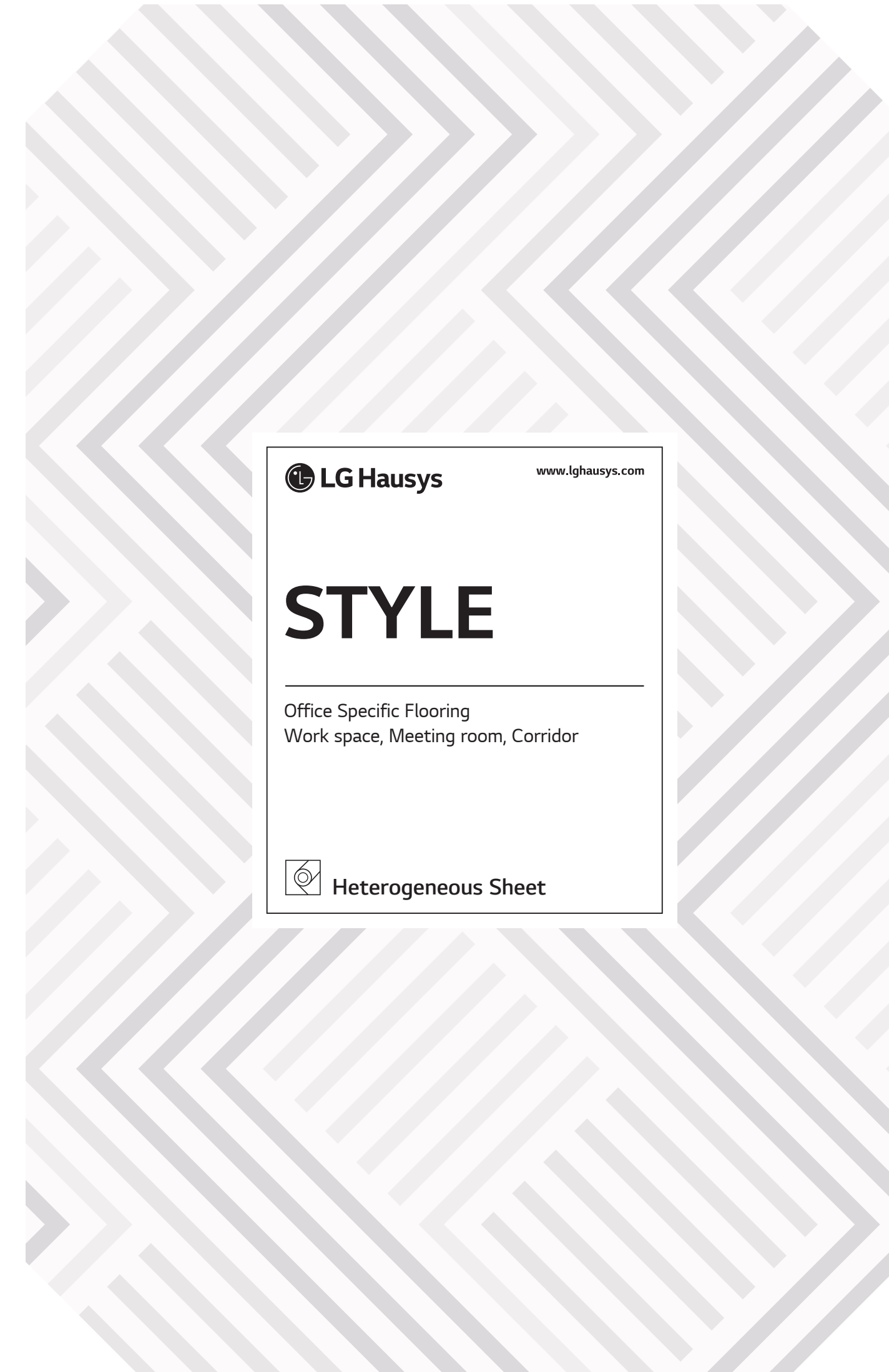
ST31704
RIVER STONE WE91682-01



ST31705
SADDLE EBONY WEL7325-03



River Stone | ST31704



LG Hausys www.lghausys.com

STYLE

Office Specific Flooring
Work space, Meeting room, Corridor

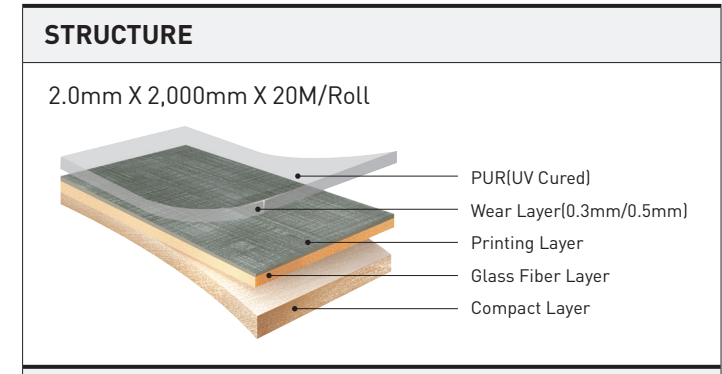
Heterogeneous Sheet

STYLE

STYLE



TECHNICAL DATA - ISO 10582		
STANDARD	METHOD	RESULT
Surface treatment		Easy Clean UV
Format		Sheet
Classification	EN 10582	23/32
Roll length		20m
Width	ISO 24341(EN 426)	2,000mm
Thickness	ISO 24346(EN 428)	2.0mm
Wear layer thickness	ISO 24340(EN 429)	0.3mm/0.5mm
Weight	ISO 23997(EN 430)	2,890g/m ²
Residual indentation	ISO 24343-1(EN 433)	fulfilled
Dimensional stability	ISO 23999(EN 434)	fulfilled
Color fastness to light	ISO 105-B02	≥6
Castor chair suitability	ISO 4918(EN 425)	no damage
Slip Resistance	EN 13893	DS
Wear resistance	EN 660-2	group T
Chemical resistance	ISO 26987(EN 423)	good
Flexibility	ISO 24344(EN 435)	no crack
Reaction to fire	EN 13501-1	Bfl -s1
Thermal resistance	EN 12664	suitable for underfloor heating
Body voltage	EN 1815	<2kV



APPLICATIONS

- Focus Work Space Executive Room
- Collaborate Meeting Room Client Space
- Socialize Lobby/Corridor Lounge/Café

FEATURE

- Design competitiveness**
Creativity and concentration enhancing patterns and colors designed specially for office
- Strong resistance to scratch**
 - Not easily worn out against heavy traffic
 - Wear resistance group T(EN 660-2)
- Easy Maintenance**
 - Easy Clean UV™ allows easy maintenance
 - Low maintenance cost



STYLE

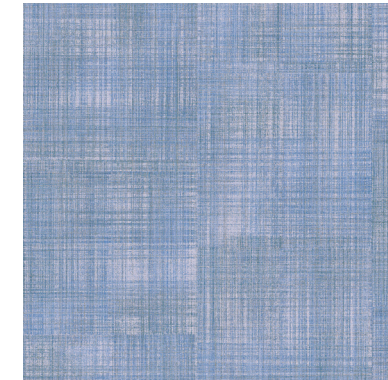
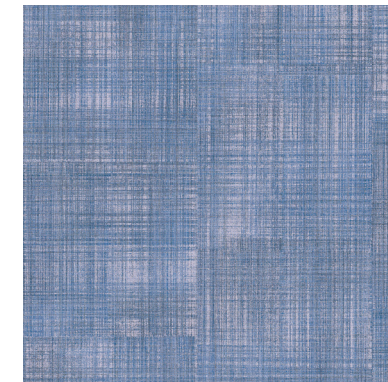
Size : 2.0mm X 2,000mm X 20M/Roll

Reverse installation required



LINEN

50mm X 50mm
2T




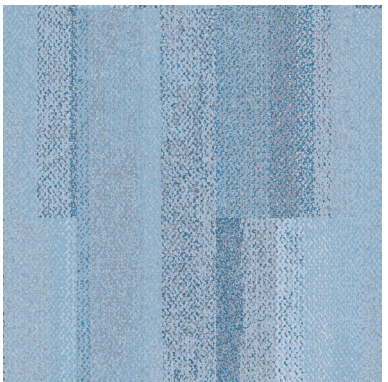
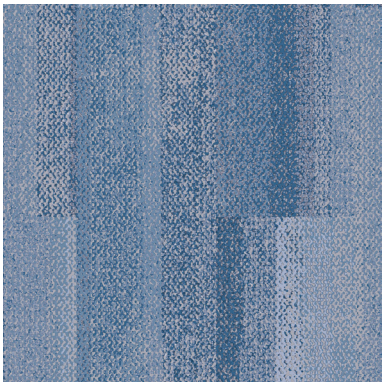

 ST31506 SAND BEIGE WEL1208-A1	 ST31501 LIGHT ASH WEL1224-A1	 ST31512 JEWEL SKY WE31512-01
 ST31507 SPICED ALMOND WEL2503-01	 ST31503 MEADOW GREY WEL2012-03	 ST31513 LAKE BLUE WEL5009-01
 ST31508 TERRA-COTTA WEL1229-A1	 ST31502 CHROME FIBER WEL1601-01	 ST31514 MIDNIGHT BLUE WEL1233-A1
 ST31511 BURNT UMBER WEL2505-01	 ST31504 CHARCOAL GREY WELSD07-01	 ST31505 HUNTER BROWN WEL2026-03

 ST31510 CORAL APRICOT WE31510-01	 ST31509 SUNFLOWER YELLOW WEL5006-01	 ST31515 SEAFOAM GREEN WELS004-01
--	---	--



Work space
Terra-Cotta | ST31508

BEADED CARPET

 ST31401 ARCTIC GREY WEL0009-01	 ST31403 AQUA BROWN WE31403-01	 ST31409 BLUE TURQUOISE WELS004-01
 ST31402 CLOUD GREY WE72831-01	 ST31404 CARAMEL BROWN WE31403-01	 ST31407 IRIS BLUE WELLC04-01
 ST31406 GRAPHITE WEL2020-03	 ST31405 PASTURE EARTH WELSD04-01	 ST31408 TWILIGHT BLUE WEL1233-A1
 ST31412 GRAPEFRUIT WEL3014-01	 ST31411 ZEST YELLOW EWR6301-01	 ST31410 SAGE GREEN WEL2006-03

