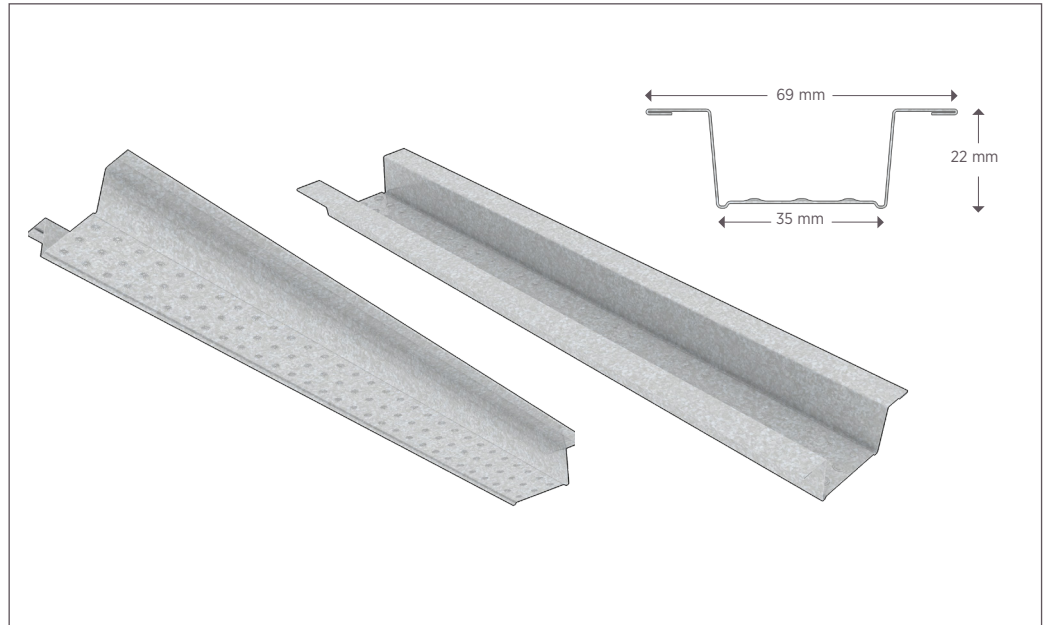


FURRING CHANNEL DRYWALL SUSPENSION

FC2269

Furring Channel | Omega Flange | Omega Depth



DESCRIPTION

Furring Channels are hat channels used to hold wall boards in Drywall ceiling and wall lining applications. It is also used as framings for drop down ceiling.

MATERIAL PROPERTIES

Yield stress, Fy 33 ksi Ultimate, with G40-G90 Zinc coating

ASTM & CODE STANDARDS

- Furring Channels are produced to meet or exceed ASTM C645 and C955
- Galvanized sheet steel meets or exceeds requirements of ASTM A-653
- For installation & storage information refer to ASTM C1007 & C754

SECTION & MATERIAL PROPERTIES TABLE NOTES

Type	Thickness (mm)	Omega Flange (mm)	Omega Depth (mm)	Section Area (mm ²)	Centroid (mm)	Moment of inertia(Ixx) (mm ⁴)	Section Modulus (Sx)(mm ³)	Radius of Gyration (mm)	Steel Mechanical Properties		
									Yield strength N/mm ²	Tensile strength N/mm ²	Elongation (%)
Furring Channels	0.45	22.00	69	22.00	11.11	3,695.00	339.00	8.72	297-308	366-372	29-30
	0.50	22.00		22.00	11.12	4,084.00	375.00	8.70	297-308	366-372	30-31
	0.55	22.00		22.00	11.13	4,470.00	411.00	8.67	297-308	366-372	30-31
	0.60	22.00		22.00	11.15	4,851.00	447.00	8.65	297-308	366-372	29-30
	0.70	22.00		22.00	11.17	5,604.00	518.00	8.61	297-308	366-372	30-31
	0.80	22.00		22.00	11.20	6,340.00	587.00	8.49	297-308	366-372	30-31
	0.90	22.00		22.00	11.23	7,063.00	656.00	8.45	297-308	366-372	29-30
	1.20	22.00		22.00	11.31	9,147.00	855.80	8.32	297-308	366-372	30-31
	1.50	22.00		22.00	11.39	11,118.00	1,048.00	8.21	297-308	366-372	30-31

PACKAGING

	Furring Channels
0.45 mm - 0.7 mm	480 Pcs
0.8 mm - 1.5 mm	256 Pcs

GREEN BENEFITS AND RECYCLED CONTENT

LEED Credit MR 2 – USG products are manufactured from coldformed steel. Steel is 100% recyclable, which helps divert debris from the waste stream.
LEED Credit MR 4 – USG’s steel products have a minimum of 25.5% post-consumer recycled content, and 6.8% pre-consumer.

REFERENCES

For further health and safety instructions, refer to the Safety Data Sheet (SDS) for this product, available from your USG Middle East sales office or **USGme.com**

Notice:

As we are involved in constant products development; this document information is subject to change without prior notice. Please always refer to **usgme.com** for the updated products information document.

©2021 Factory of USG Middle East LTD. Co. All rights reserved.

