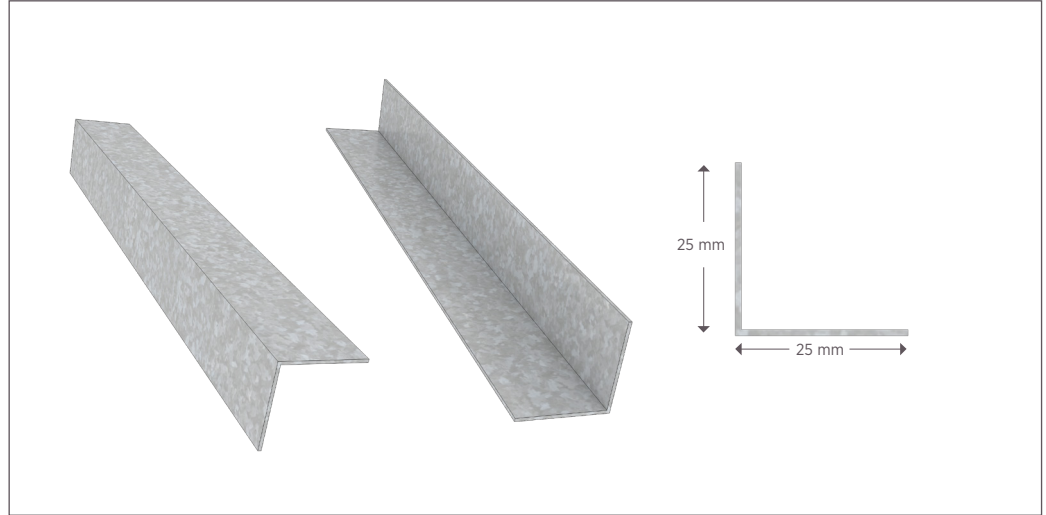


# PERIMETER ANGLE DRYWALL SUSPENSION

PA2525

Perimeter Angle	Width	Length
--------------------	-------	--------



**DESCRIPTION**

- Used on the perimeter of the Drywall ceiling suspension systems and optional as suspension hangers
- Also it is used along with primary channels to provide horizontal bridging to resist rotation and axial loads in wall applications

**MATERIAL PROPERTIES**

Yield stress, Fy 33 ksi Ultimate, with G40-G90 Zinc coating

**ASTM & CODE STANDARDS**

- Perimeter Angle are produced to meet or exceed ASTM C645 and C955
- Galvanized sheet steel meets or exceeds requirements of ASTM A-653
- For installation & storage information refer to ASTM C1007 & C754

**SECTION & MATERIAL  
PROPERTIES**

Type	Thickness (mm)	Angle Size (mm)	Section Area (mm <sup>2</sup> )	Centroid (mm)	Moment of inertia(Ixx) (mm <sup>4</sup> )	Section Modulus (Sx)(mm <sup>3</sup> )	Steel Mechanical Properties		
							Yield strength N/mm <sup>2</sup>	Tensile strength N/mm <sup>2</sup>	Elongation (%)
Perimeter Angle	0.45	25 / 25	22.05	6.36	1,433.00	76.90	297-308	366-372	28-29
	0.50	25 / 25	24.5	6.38	1,589.00	85.32	297-308	366-372	29-30
	0.55	25 / 25	26.95	6.39	1,744.00	93.69	297-308	366-372	29-30
	0.60	25 / 25	29.4	6.4	1,898.00	102.00	297-308	366-372	29-30
	0.70	25 / 25	34.3	6.43	2,203.80	118.50	297-308	366-372	30-31
	0.80	25 / 25	39.2	6.45	2,506.83	135.14	297-308	366-372	30-31
	0.90	25 / 25	44.1	6.48	2,807.00	151.50	297-308	366-372	30-31
	1.00	25 / 25	49	6.5	3,104.00	167.80	297-308	366-372	30-31
	1.20	25 / 25	58.8	6.55	3,690.20	200.00	297-308	366-372	30-31
	1.50	25 / 25	73.5	6.63	4,548.83	247.55	297-308	366-372	31-32

**PACKAGING**

	<b>Furring Channels</b>
0.45 mm - 0.8 mm	1000 Pcs
0.9 mm - 1.5 mm	750 Pcs

**GREEN BENEFITS AND RECYCLED CONTENT**

LEED Credit MR 2 – USG products are manufactured from coldformed steel. Steel is 100% recyclable, which helps divert debris from the waste stream.

LEED Credit MR 4 – USG’s steel products have a minimum of 25.5% post-consumer recycled content, and 6.8% pre-consumer.

**REFERENCES**

For further health and safety instructions, refer to the Safety Data Sheet (SDS) for this product, available from your USG Middle East sales office or **USGme.com**

**Notice:**

As we are involved in constant products development; this document information is subject to change without prior notice. Please always refer to **usgme.com** for the updated products information document.

©2021 Factory of USG Middle East LTD. Co. All rights reserved.

